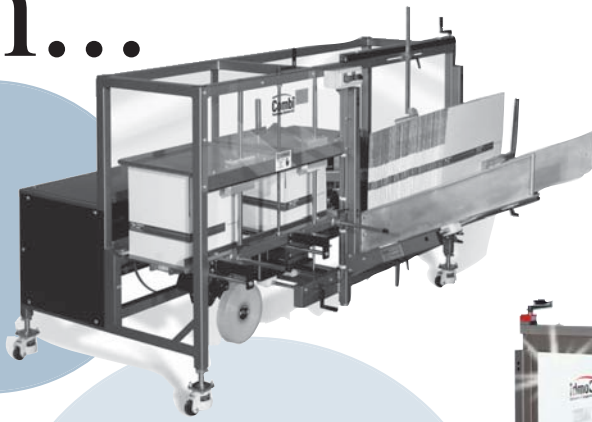


Then...



Combi manufactures one of the most diverse ranges of reliable case erectors on the market today.

Over the years, we have seen more and more corrugated cases being manufactured with recycled content. This results in thinner, less rigid panels which can be difficult to erect squarely when run through automated case erectors that push the case past a railed plow and tape head.



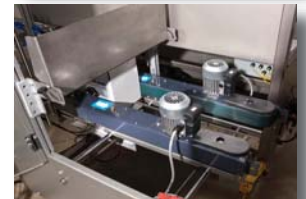
and Now!

Today our series of 2-EZ[®] case erectors are still engineered with the industry's strongest one-piece welded tubular steel frame (lifetime warranty) and heavy duty name-brand components. But our engineering team has raised the bar in case erecting technology by improving the efficiencies of Combi case erectors.

NEW FEATURES

Positive Four Flap Closing	Pneumatic positive flap closing components provide for a square case on single, double, and even triple wall cases.
Dual Belt Drive Case Indexing	Ensures a squared case travels over the tapehead
Open Design	No overhead cross members in doorways, provides easy access for maintenance. Also, the case opening components are contained under the machine frame, staying clear of falling corrugated dust - another maintenance plus.
Hinged Case Hold Down Plate	Allows for easy tapehead removal by the operator
Only 5 Adjustment Points	Less adjustments for case changeover - only 5 adjustment points with numeric indicators - the tapehead and side belts now adjust simultaneously
Machine Footprint Reduced	Overall machine footprint has been reduced freeing up valuable floor space
Requires Less Energy	Vacuum generator incorporated at the cup, resulting in half the amount of energy consumed
Adjustable Vacuum Cups	Easily adjustable vacuum cups positioning for a full range of case sizes
35% More Panel Space	Electrical enclosures with more panel space allow for future integration of conveyor and other optional equipment
Speed	Now available with speeds up to 20 cases per minute*
Allen Bradley Controls	Advanced communication and expanded application capabilities. Color touch screens let you monitor, control and display application status information graphically

* Additional models available up to 35 cpm



**Call Combi today to discuss trading in your old case erector
1-800-521-9072**